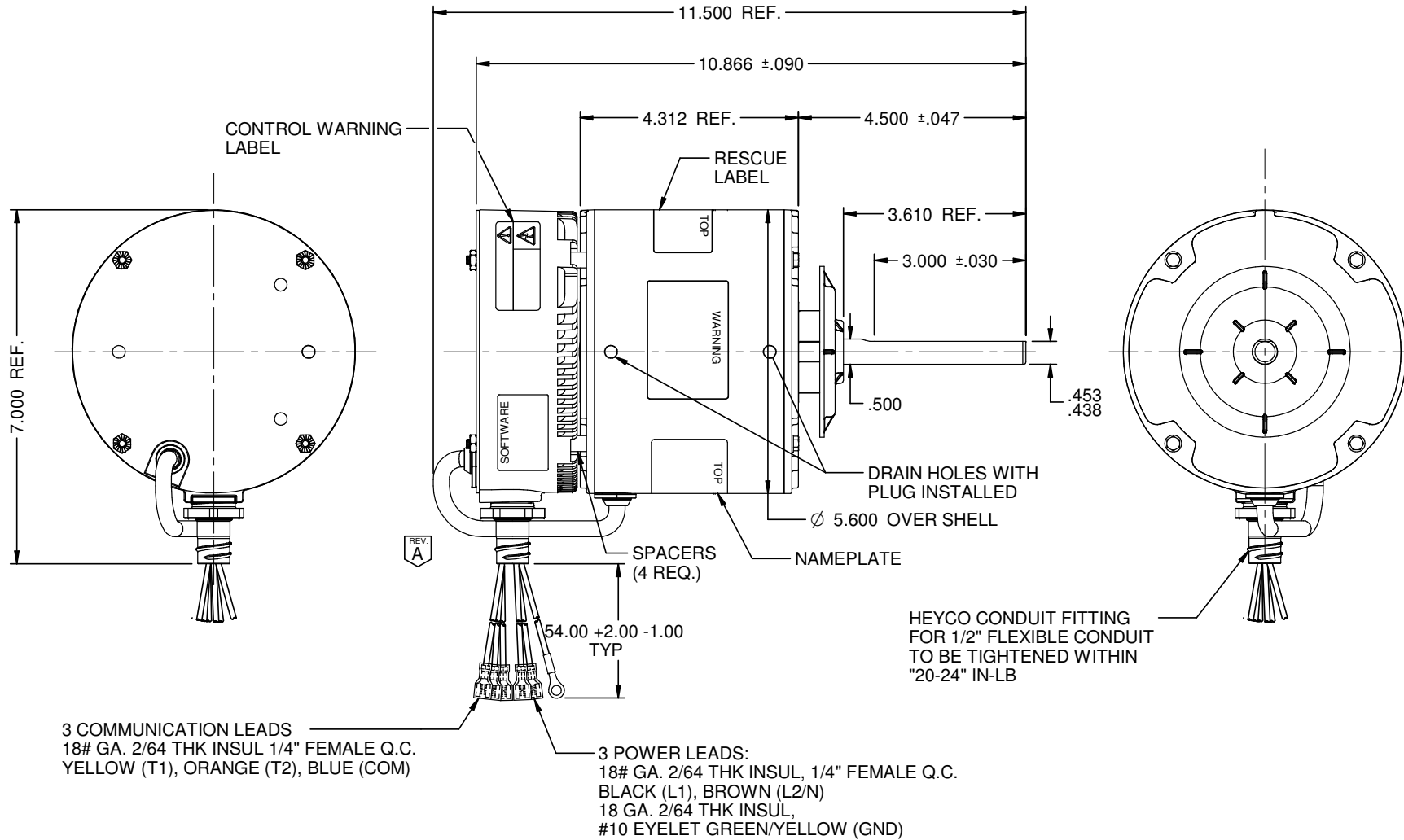


VAR	MODEL	CUSTOMER	RPM	ROTATION	HP	VOLTS	AMPS	HZ	TAP 1 RPM	TAP 2 ROTATION	CAT.PART.NO	SOFTWARE VER.
001	M055PWESH-1237	WHOLESALE-HAC	1200/VAR	CCWLE REV	1/3	208-230	2.5	60&50	0V, 1075 24V, 825	0V, CCWLE 24V, CWLE	5562EO	275



NIDEC MOTOR CORPORATION 10-Jan-19

REFER TO S.E.I.M. 24-1

REVISION RECORD FOR:	E33322
DELETED CUSTOMER BAR CODE LABEL AND NOTE.	
ISSUED BY:	ENGINEER APPROVED:
B. ANDRADE	S. NGO

TOLERANCES ON DIMENSIONS (UNLESS OTHERWISE SPECIFIED)	
INCHES .XX = ± .010 .XXX = ± .005	mm
ANGLES X° = ±1°	

NIDEC MOTOR CORPORATION			
INFORMATION DISCLOSED ON THIS DOCUMENT IS CONSIDERED PROPRIETARY AND SHALL NOT BE REPRODUCED OR DISCLOSED WITHOUT WRITTEN CONSENT OF NIDEC MOTOR CORPORATION			REVISION DATE: 10-JAN-19
TITLE	CODE	ITEM NO.	REV
CUSTOMER DETAIL DRAWING	V02	818759	A
			SHEET NUMBER 1 OF 4
			DWG SIZE B